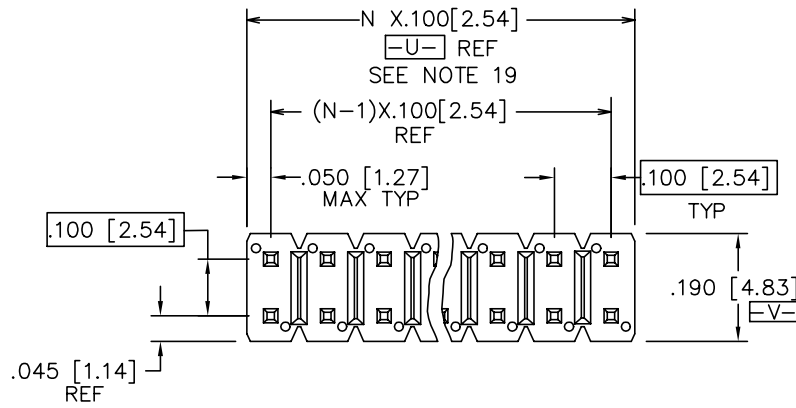


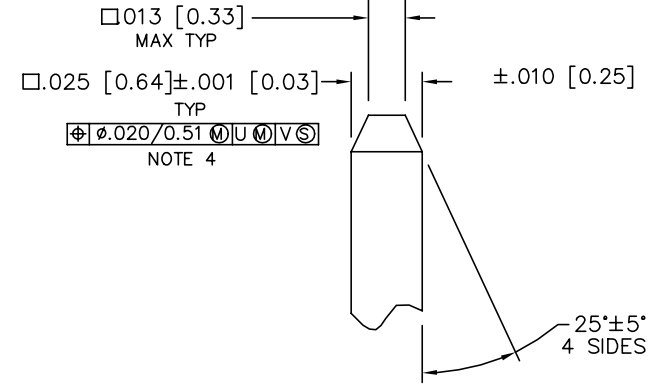
PRODUCT NUMBER

XXXXX-XYYPHLF

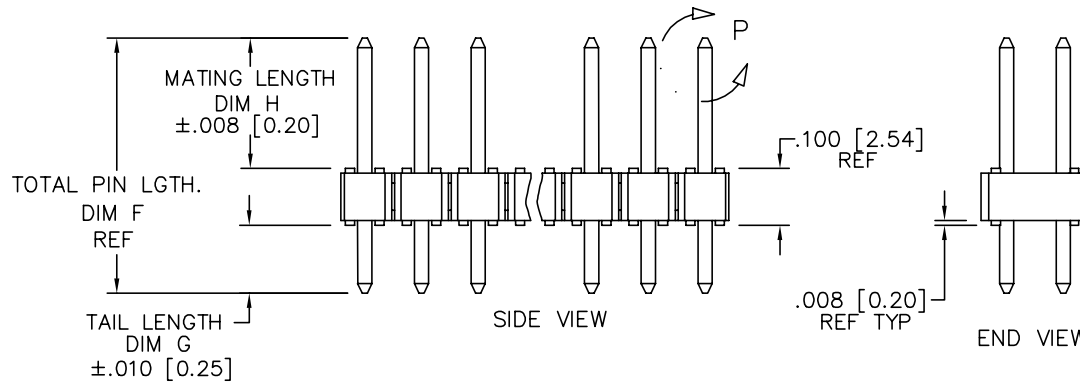
- LEAD FREE OPTION  
SEE NOTE 1,13
- SPECIAL OPTIONS  
SEE NOTE 1 OR 10
- HIGH TEMPERATURE PLASTIC  
SEE NOTE 1
- NO OF POSITIONS  
SEE NOTE 1
- PIN PLATING  
SEE SHEET 2
- BASE PART NO.



TOP VIEW



DETAIL P  
SCALE 5:1  
TYP BOTH ENDS

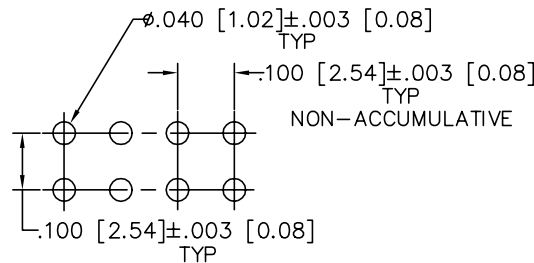


SIDE VIEW

END VIEW

67996-X XX-XXX XXX LF

- TAIL LENGTH (EXAMPLE BELOW)  
3.0mm=030 12.8mm=128  
(SEE NOTE 16 & 17)
- MATING LENGTH (EXAMPLE BELOW)  
5.0mm=050 25.5mm=255  
(SEE NOTE 16 & 17)
- TOTAL NUMBER OF POSITIONS  
FROM 2 (2X1) THRU 72 (2X36) POS.
- PIN PLATING (SEE NOTE 14)  
1=0.76µm Au  
4= PURE TIN  
8=0.36µm Au
- BASE PART NO.  
DOUBLE ROW



RECOMMENDED HOLE PATTERN

mat'l. code NOTE 2 & 3				surface ISO 1302 ✓	tolerance ISO 406 ISO 1101	projection INCH/MM	product family BERGSTIK
ltr	ecn no	dr	date	tolerances unless otherwise specified		scale 2:1	title BERGSTIK II HEADER D/R .100/2.54cc STRAIGHT
DF	N11-0180	J.Z	2011-05-31	angles	linear		
DG	ELX-N-13471	J.Z	2011-11-16				dwg no 67996
DH	ELX-N-16105	ZK	2013-10-22	0°±2'			
				dr	T.BREWBAKER	12/21/94	sheet 1 of 8 size A3
				enr	T.HANNA	12/21/94	
				chr	J.MURPHY	12/21/94	type Product Customer Drawing
				appd	T.HANNA	12/21/94	
sheet index	revision sheet	DH	...	DH			
		1	...	8			

PIN PLATING CODES:	
XXXX-1YY	30u"/0.76u MIN (SEE NOTE 14) OVER 50u"/1.27u MIN Ni
XXXX-2YY	15u"/0.38u MIN (SEE NOTE 14) OVER 50u"/1.27u MIN Ni
XXXX-3YY	50u"/1.27u MIN (SEE NOTE 14) OVER 50u"/1.27u MIN Ni
XXXX-4YY	100u"/2.54u MIN Sn OVER 50u"/1.27u MIN Ni (SEE NOTE 15)
XXXX-4YYHLF	
XXXX-5YY	15u"/0.38u MIN (SEE NOTE 14) OVER 50u"/1.27u MIN Ni
XXXX-6YY	30u"/0.76u MIN (SEE NOTE 14) OVER 50u"/1.27u MIN Ni
XXXX-7YY	30u"/0.76u MIN (SEE NOTE 14) OVER 50u"/1.27u MIN Ni
XXXX-8YY	15u"/0.38u MIN (SEE NOTE 14) OVER 50u"/1.27u MIN Ni
XXXX-9YY	15u"/0.38u MIN (SEE NOTE 14) OVER 50u"/1.27u MIN Ni
XXXX-0YY	30u"/0.76u MIN (SEE NOTE 14) OVER 50u"/1.27u MIN Ni

3. PIN MATERIAL: PHOS BRONZE.
4. MEASURED WITH PART IN RESTRAINED CONDITION.
5. TWO SIDES OF PIN TIPS NOT PLATED. TYPICAL BOTH ENDS.
6. 2LBS/0.9KG MIN PIN RETENTION IN EITHER DIRECTION.
7. MILITARY BERGSTIK HEADER  
P/N XXXXX-XYX-MIL  
NOT AVAILABLE.
8. ±.010/0.25 TOL APPLIES TO ALL "G" TAILS EXCEPT INDICATED PARTS ON TABLE WHERE +.010/0.25 -.000/0.00 APPLIES.
9. NOTCH CONFIGURATION WILL VARY PER VENDOR'S DISCRETION.
10. BERGSTRIPTM PART NUMBERS FOLLOWED BY BY A "B" ARE BULK PRICED.
11. TAIL LENGTH (DIM. G) TO BE ±.008/.020.
12. POSITIONS PER ROW 37 TO 50 CAN BE PRODUCED, BUT FLATNESS AND CURVATURE MAY NOT BE HELD AS CLOSE AS 36 POSITIONS.
13. THESE PRODUCTS MEETS EUROPEAN UNION DIRECTIVES AND OTHER COUNTRY REGULATION AS DESCRIBED IN GS-22-008.
14. PLATING OPTIONS:  
PERFORMANCE PLATING WILL BE EITHER GOLD OR GXT ON POST OR TAIL, OPTIONALLY (78~295u"/2~7.5u) TIN ON TAIL.
15. "THIS PRODUCT HAS 100% TIN PLATING IN THE INTERFACE AND HAS NOT BEEN TESTED FOR WHISKER GROWTH IN ALL INTERCONNECT ENVIRONMENTS."
16. THE OAL DON'T EXCEED 34.5mm
17. INCREMENTS BY 0.1mm IN LENGTHS ONLY
18. FOR SPECIAL PACKAGING REQUEST PLEASE CONTACT PRODUCT MANAGER FOR AVAILABILITY
19. TO DETERMINE DIMENSIONS:  
N=NUMBER OF POSITION PER ROW  
EXAMPLE: 10 POS. N X .100/2.54

NOTES

1. PART NUMBER OPTIONS:  
PIN PLATING CODES (SEE ABOVE)

HIGH TEMPERATURE MATERIAL:

PART NUMBERS WITH AND WITHOUT "H" WILL BE SUPPLIED WITH HIGH TEMPERATURE PLASTIC.

NUMBER OF POSITIONS :

EVEN NUMBER OF POSITIONS FROM 2 (2X1) THROUGH 72 (2X36).  
-X00H INDICATES BERGSTRIPTM PRODUCT. SEE PAGE 3 FOR SPECIAL GEOMETRY OF THIS CONTINUOUS STRIP PRODUCT. AUTOMATED REELS WILL CONTAIN 45,000 PINS. SEE SPECIFIC PART NUMBERS FOR AVAILABILITY.

PACKAGING:

PACKAGED IN POLY BAGS.  
EIGHT DIGIT PART NUMBERS FOLLOWED BY A "T" ARE PACKAGED IN TUBES. SEE SPECIFIC PART NUMBERS FOR AVAILABILITY.  
EIGHT DIGIT PART NUMBERS FOLLOWED BY A "G" ARE PACKAGED IN GPAX FOR IBM ONLY. SEE SPECIFIC PART NUMBERS FOR AVAILABILITY.  
PART NUMBERS FOLLOWED BY A "C" ARE PACKAGED IN TUBES WITH A PICKUP CAP APPLIED.  
EIGHT DIGIT PART NUMBERS FOLLOWED BY A "A" ARE PACKAGED IN TAPE/REEL WITH PICKUP CAP P/N 95730-003 APPLIED, PER BUS-14-345.

LEAD FREE:

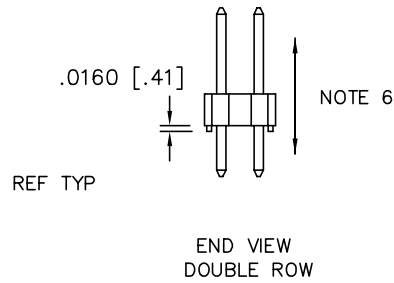
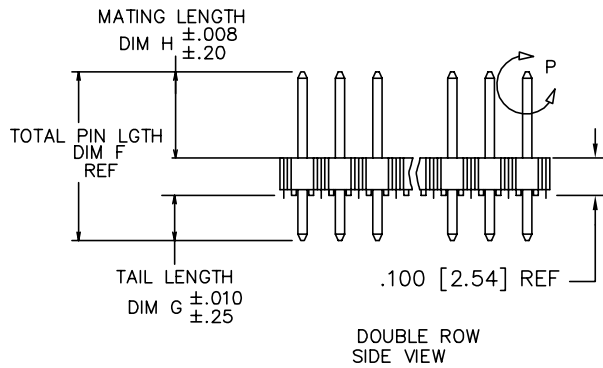
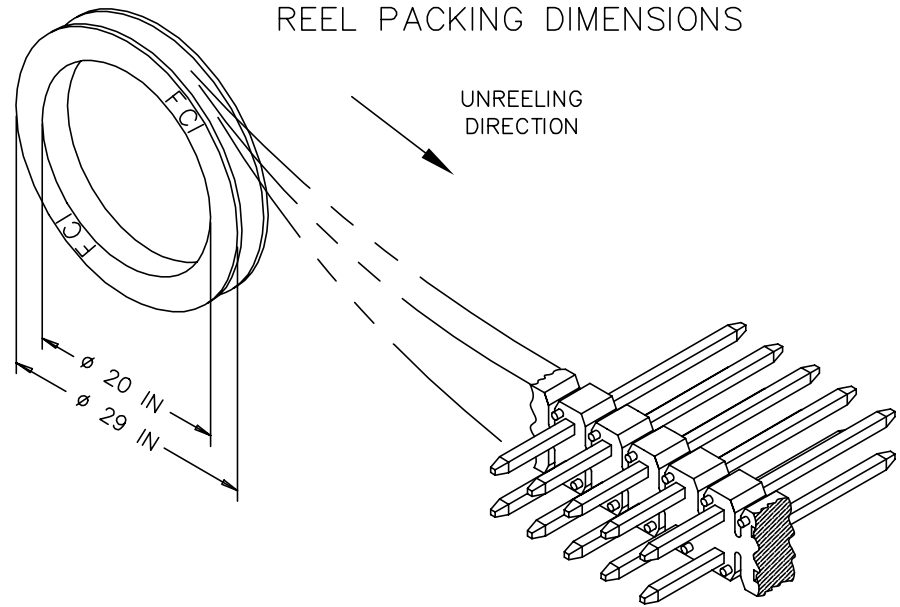
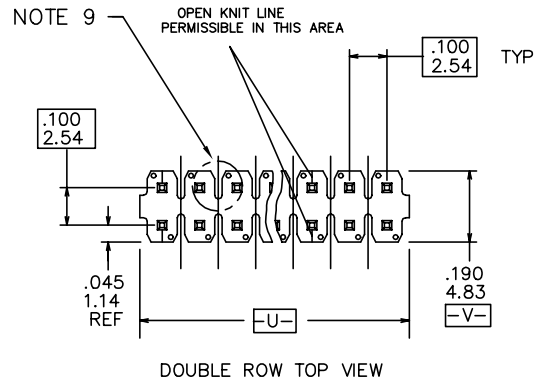
ADD "HLF" SUFFIX AT THE END OF PART NUMBER FOR LEAD FREE OPTION, NOT AVAILABLE FOR -5YY,-5YYH, -6YY & -6YYH

2. BODY MATERIAL:

BODY MATERIAL : MANUFACTURER'S OPTION OF NYLON, PCT GLASS FIBER REINFORCED OR MINERAL FILLED LCP FLAME RETARDENT PER UL-94V-0. COLOR: BLACK  
BERGSTRIPTM PRODUCED WITH HIGH TEMPERATURE LCP THERMOPLASTIC, FLAME RETARDENT PER UL-94V-0. COLOR: BLACK  
PART NUMBERS WITH "H" AND WITHOUT SUFFIX WILL WITHSTAND EXPOSURE TO 260° C PEAK TEMPERATURE FOR 20 SECONDS IN WAVE SOLDER, INFRA-RED OR VAPOR PHASE SOLDER PROCESS.

mat'l. code		surface		tolerance		projection		product family	
NOTE 2 & 3		ISO 1302 ✓		ISO 406		ISO 1101		BERGSTIK	
ltr	ecn	no	dr	date	tolerances unless otherwise specified		INCH/MM	title	
DG					angles	linear		scale 2:1	BERGSTIK II HEADER D/R
					0°±2'				.100/2.54cc STRAIGHT
					dr	T.BREWBAKER	12/21/94	dwg no	
					enr	T.HANNA	12/21/94	sheet 2 of 8	
					chr	J.MURPHY	12/21/94	67996	
					appd	T.HANNA	12/21/94	A3	
sheet index		revision sheet						type Product Customer Drawing	

BERGSTRIPTM HEADER



mat'l. code NOTE 2 & 3		surface ISO 1302 ✓	tolerance ISO 406 ISO 1101	projection INCH/MM	product family BERGSTIK
ltr	ecn no	dr	date	tolerances unless otherwise specified	title
DH				angles linear XXX±0.005/XXX±.13 0°±2° XXXX±0.020/XXX±.05	BERGSTIK II HEADER D/R .100/2.54cc STRAIGHT
		dr	T.BREWBAKER	12/21/94	dwg no sheet 3 of 8 size
		enr	T.HANNA	12/21/94	67996 A3
		chr	J.MURPHY	12/21/94	type Product Customer Drawing
		appd	T.HANNA	12/21/94	
sheet index	revision sheet				

Copyright FCI  
 FCIconnect.com

PRODUCT NUMBER	1		2		3		PACKAGING	NOTES	BERGSTRIIP™ AVAILABLE	LF OPTION	
	TOT. PIN LGTH.	TAIL LENGTH	MATING LENGTH								
	DIM F	DIM F	DIM G	DIM G	DIM H	DIM H					
	ENGLISH	METRIC	ENGLISH	METRIC	ENGLISH	METRIC					
55005-XYH	0.597	15.16	0.095	2.41	0.402	10.21	POLY BAGS		YES	OB NOTE 1,13	
55030-XYH	0.630	16.00	0.150	3.81	0.380	9.65	POLY BAGS		YES		
67996-XYH	0.425	10.80	0.095	2.41	0.230	5.84	POLY BAGS/TUBES		YES		
67997-XYH	0.450	11.43	0.120	3.05	0.230	5.84	POLY BAGS/TUBES		YES		
67997-XYH	0.450	11.43	0.120	3.05	0.230	5.84	POLY BAGS/TUBES		YES		
67998-XYH	0.525	13.34	0.107	2.72	0.318	8.08	POLY BAGS/TUBES		YES		
67999-XYH	0.548	13.92	0.130	3.30	0.318	8.08	POLY BAGS		NO		
68438-XYH	0.555	14.10	0.225	5.72	0.230	5.84	POLY BAGS/TUBES		NO		OB
68439-XYH	0.720	18.29	0.120	3.05	0.500	12.70	POLY BAGS		NO		OB
68464-XYH	0.650	16.51	0.120	3.05	0.430	10.92	POLY BAGS/TUBES		NO		
68481-XYH	0.480	12.19	0.095	2.41	0.285	7.24	POLY BAGS/TUBES		NO		
68482-XYH	0.938	23.83	0.318	8.08	0.520	13.21	POLY BAGS		NO		
68491-XYH	0.475	12.07	0.120	3.05	0.255	6.48	POLY BAGS/TUBES		NO		
68600-XYH	0.825	20.96	0.115	2.92	0.610	15.49	POLY BAGS		NO	OB	
68601-XYH	0.620	15.75	0.120	3.05	0.400	10.16	POLY BAGS		NO	OB	
68602-XYH	0.480	12.19	0.150	3.81	0.230	5.84	POLY BAGS		YES		
68690-XYH	0.533	13.54	0.115	2.92	0.318	8.08	POLY BAGS		NO		
68691-XYH	0.538	13.67	0.120	3.05	0.318	8.08	POLY BAGS		YES		
68692-XYH	0.430	10.92	0.100	2.54	0.230	5.84	POLY BAGS		NO		
68693-XYH	0.938	23.83	0.520	13.21	0.318	8.08	POLY BAGS		NO		
68716-XYH	0.828	21.03	0.410	10.41	0.318	8.08	POLY BAGS		NO	OB	
68734-XYH	0.615	15.62	0.230	5.84	0.285	7.24	POLY BAGS		NO	OB	
68737-XYH	0.440	11.18	0.110	2.79	0.230	5.84	POLY BAGS		YES		
68738-XYH	0.615	15.62	0.115	2.92	0.400	10.16	POLY BAGS		NO	OB	
68739-XYH	0.486	12.34	0.156	3.96	0.230	5.84	POLY BAGS		NO		
68743-XYH	0.638	16.21	0.220	5.59	0.318	8.08	POLY BAGS		NO		
68749-XYH	0.838	21.29	0.420	10.67	0.318	8.08	POLY BAGS		NO	OB	
68779-XYH	0.736	18.69	0.318	8.08	0.318	8.08	POLY BAGS		NO		
68783-XYH	0.375	9.53	0.045	1.14	0.230	5.84	POLY BAGS		NO	OB	
68799-XYH	0.925	23.50	0.595	15.11	0.230	5.84	POLY BAGS		NO	OBNOTE 1,13	



FCIconnect.com

Copyright FCI

mat'l. code NOTE 2 & 3		surface ISO 1302 ✓		tolerance ISO 406 ISO 1101		projection 		product family BERGSTIK		
ltr	ecn	no	dr	date		tolerances unless otherwise specified		title		
DH						angles	linear	BERGSTIK II HEADER D/R		
						0°±2'	.XXX±0.006/.XXX±.13 .XXX±0.020/.XXX±.05	.100/2.54cc STRAIGHT		
						dr	T.BREWBAKER	12/21/94		
						enr	T.HANNA	12/21/94		
						chr	J.MURPHY	12/21/94		
						appd	T.HANNA	12/21/94		
sheet index	revision sheet									



PRODUCT NUMBER	TOT. PIN LGTH.		TAIL LENGTH		MATING LENGTH		PACKAGING	NOTES	BERGSTRIPTM AVAILABLE	LF OPTION
	DIM F	DIM F	DIM G	DIM G	DIM H	DIM H				
	ENGLISH	METRIC	ENGLISH	METRIC	ENGLISH	METRIC				
<del>69132-XYY</del>	<del>0.760</del>	<del>19.30</del>	<del>0.120</del>	<del>3.05</del>	<del>0.540</del>	<del>13.72</del>	POLY BAGS/TUBES		NO	OB NOTE 1,13
69133-XYY	0.615	15.62	0.285	7.24	0.230	5.84	POLY BAGS		NO	
69157-XYY	0.410	10.41	0.110	2.79	0.200	5.08	POLY BAGS		NO	
<del>71217-XYYH</del>	<del>1.000</del>	<del>25.40</del>	<del>0.450</del>	<del>11.43</del>	<del>0.450</del>	<del>11.43</del>	POLY BAGS		NO	
<del>71222-XYYH</del>	<del>0.850</del>	<del>21.59</del>	<del>0.250</del>	<del>6.35</del>	<del>0.500</del>	<del>12.70</del>	POLY BAGS		NO	
<del>72273-XYYH</del>	<del>0.725</del>	<del>18.42</del>	<del>0.110</del>	<del>2.79</del>	<del>0.515</del>	<del>13.08</del>	POLY BAGS		NO	
<del>72448-XYYH</del>	<del>0.658</del>	<del>16.71</del>	<del>0.172</del>	<del>4.37</del>	<del>0.386</del>	<del>9.80</del>	POLY BAGS		NO	
<del>72455-XYYH</del>	<del>0.598</del>	<del>15.19</del>	<del>0.180</del>	<del>4.57</del>	<del>0.318</del>	<del>8.08</del>	POLY BAGS		NO	
72455-632HG	0.598	15.19	0.180	4.57	0.318	8.08	GPAX	NOTE 1	NO	
<del>73503-XYYH</del>	<del>0.420</del>	<del>10.67</del>	<del>0.120</del>	<del>3.05</del>	<del>0.200</del>	<del>5.08</del>	POLY BAGS		NO	
<del>73596-XYYH</del>	<del>0.795</del>	<del>20.19</del>	<del>0.110</del>	<del>2.79</del>	<del>0.585</del>	<del>14.86</del>	POLY BAGS		NO	
<del>74317-XYYH</del>	<del>0.532</del>	<del>13.51</del>	<del>0.309</del>	<del>7.85</del>	<del>0.123</del>	<del>3.12</del>	POLY BAGS	NOTE 11	NO	
<del>74318-XYYH</del>	<del>0.592</del>	<del>15.04</del>	<del>0.369</del>	<del>9.37</del>	<del>0.123</del>	<del>3.12</del>	POLY BAGS	NOTE 11	NO	
<del>74999-XYYH</del>	<del>0.508</del>	<del>12.90</del>	<del>0.090</del>	<del>2.29</del>	<del>0.318</del>	<del>8.08</del>	POLY BAGS		NO	
<del>78212-XYY</del>	<del>0.710</del>	<del>18.03</del>	<del>0.350</del>	<del>8.89</del>	<del>0.260</del>	<del>6.60</del>	POLY BAGS		NO	
78233-XYY	0.568	14.43	0.150	3.81	0.318	8.08	POLY BAGS		NO	
<del>78269-XYY</del>	<del>0.385</del>	<del>9.78</del>	<del>0.095</del>	<del>2.41</del>	<del>0.190</del>	<del>4.83</del>	POLY BAGS		NO	
<del>78286-XYY</del>	<del>0.500</del>	<del>12.70</del>	<del>0.160</del>	<del>4.06</del>	<del>0.240</del>	<del>6.10</del>	POLY BAGS/TUBES		NO	
78932-XYY		UNAVAILABLE		UNAVAILABLE		UNAVAILABLE				
<del>78933-XYY</del>	<del>0.695</del>	<del>17.65</del>	<del>0.285</del>	<del>7.24</del>	<del>0.310</del>	<del>7.87</del>	POLY BAGS		NO	
<del>78988-XYY</del>	<del>0.540</del>	<del>13.72</del>	<del>0.135</del>	<del>3.43</del>	<del>0.305</del>	<del>7.75</del>	POLY BAGS		NO	
78989-XYY		UNAVAILABLE		UNAVAILABLE		UNAVAILABLE				
78990-XYY		UNAVAILABLE		UNAVAILABLE		UNAVAILABLE				
78991-XYY		UNAVAILABLE		UNAVAILABLE		UNAVAILABLE				
78992-XYY		UNAVAILABLE		UNAVAILABLE		UNAVAILABLE				
78993-XYY		UNAVAILABLE		UNAVAILABLE		UNAVAILABLE				
78994-XYY		UNAVAILABLE		UNAVAILABLE		UNAVAILABLE				

NOTE 1,13

mat'l. code NOTE 2 & 3		surface ISO 1302 <input checked="" type="checkbox"/>	tolerance ISO 406 ISO 1101	projection 	product family BERGSTIK
ltr	ecn no	dr	date	tolerances unless otherwise specified	title
DH				linear XX±01/XX±3 XXX±0.006/XXX±.13 XXXX±0020/XXX±.05	BERGSTIK II HEADER D/R .100/2.54cc STRAIGHT
				angles 0°±2'	INCH/MM scale 2:1
		dr	T.BREWBAKER	12/21/94	dwg no
		enr	T.HANNA	12/21/94	sheet 5 of 8
		chr	J.MURPHY	12/21/94	size
		appd	T.HANNA	12/21/94	67996
					A3
					type Product Customer Drawing
sheet index	revision sheet				

PRODUCT NUMBER	TOT. PIN LGTH.		TAIL LENGTH		MATING LENGTH		PACKAGING	NOTES	BERGSTRIPTM AVAILABLE	LF OPTION
	DIM F	DIM F	DIM G	DIM G	DIM H	DIM H				
	ENGLISH	METRIC	ENGLISH	METRIC	ENGLISH	METRIC				
78995-XY	UNAVAILABLE		UNAVAILABLE		UNAVAILABLE		E	-	-	NOTE 1,13
78996-XY	UNAVAILABLE		UNAVAILABLE		UNAVAILABLE		E	-	-	
<del>79242-XY</del>	<del>0.930</del>	<del>23.62</del>	<del>0.340</del>	<del>8.64</del>	<del>0.490</del>	<del>12.45</del>	<del>POLY BAGS</del>	<del>-</del>	<del>NO</del>	OB
<del>79243-XY</del>	<del>1.230</del>	<del>31.24</del>	<del>0.390</del>	<del>9.91</del>	<del>0.740</del>	<del>18.80</del>	<del>POLY BAGS</del>	<del>-</del>	<del>NO</del>	OB
79244-XY	UNAVAILABLE		UNAVAILABLE		UNAVAILABLE		E	-	-	
<del>79268-XY</del>	<del>1.020</del>	<del>25.91</del>	<del>0.120</del>	<del>3.05</del>	<del>0.800</del>	<del>20.32</del>	<del>POLY BAGS</del>	<del>-</del>	<del>NO</del>	OB
<del>79271-XY</del>	<del>1.100</del>	<del>27.94</del>	<del>0.500</del>	<del>12.70</del>	<del>0.500</del>	<del>12.70</del>	<del>POLY BAGS</del>	<del>-</del>	<del>NO</del>	OB
79425-XY	0.410	10.41	0.120	3.05	0.190	4.83	POLY BAGS	-	NO	
79821-XY	0.730	18.54	0.200	5.08	0.430	10.92	POLY BAGS	-	NO	
<del>84610-XYH</del>	<del>0.380</del>	<del>9.65</del>	<del>0.120</del>	<del>3.05</del>	<del>0.160</del>	<del>4.06</del>	<del>POLY BAGS</del>	<del>-</del>	<del>NO</del>	OB
<del>84760-XYH</del>	<del>0.870</del>	<del>22.09</del>	<del>0.150</del>	<del>3.81</del>	<del>0.620</del>	<del>15.74</del>	<del>POLY BAGS</del>	<del>-</del>	<del>NO</del>	OB
<del>84784-XYH</del>	<del>1.130</del>	<del>28.70</del>	<del>0.122</del>	<del>3.09</del>	<del>0.908</del>	<del>23.06</del>	<del>POLY BAGS</del>	<del>-</del>	<del>NO</del>	OB
<del>84934-XYH</del>	<del>1.375</del>	<del>34.93</del>	<del>0.625</del>	<del>15.88</del>	<del>0.650</del>	<del>16.51</del>	<del>POLY BAGS</del>	<del>-</del>	<del>NO</del>	OB
<del>84976-XYH</del>	<del>0.730</del>	<del>18.54</del>	<del>0.400</del>	<del>10.16</del>	<del>0.230</del>	<del>5.84</del>	<del>POLY BAGS</del>	<del>-</del>	<del>NO</del>	OB
86503-XY	0.470	11.94	0.120	3.05	0.250	6.35	POLY BAGS	-	NO	
<del>86581-XY</del>	<del>0.450</del>	<del>11.43</del>	<del>0.120</del>	<del>3.05</del>	<del>0.230</del>	<del>5.84</del>	<del>POLY BAGS</del>	<del>NOTE 8</del>	<del>NO</del>	OB
<del>86817-XY</del>	<del>0.925</del>	<del>23.50</del>	<del>0.120</del>	<del>3.05</del>	<del>0.705</del>	<del>17.91</del>	<del>POLY BAGS</del>	<del>-</del>	<del>NO</del>	OB
<del>86827-XY</del>	<del>0.700</del>	<del>17.78</del>	<del>0.120</del>	<del>3.05</del>	<del>0.480</del>	<del>12.19</del>	<del>POLY BAGS</del>	<del>-</del>	<del>NO</del>	OB
86832-XY	0.525	13.34	0.100	2.54	0.325	8.26	POLY BAGS	-	NO	
<del>86834-XY</del>	<del>1.335</del>	<del>33.91</del>	<del>0.585</del>	<del>14.86</del>	<del>0.650</del>	<del>16.51</del>	<del>POLY BAGS</del>	<del>-</del>	<del>NO</del>	OB
<del>86836-XY</del>	<del>0.870</del>	<del>22.10</del>	<del>0.120</del>	<del>3.05</del>	<del>0.650</del>	<del>16.51</del>	<del>POLY BAGS</del>	<del>-</del>	<del>NO</del>	OB
86837-XY	0.600	15.24	0.120	3.05	0.380	9.65	POLY BAGS	-	NO	
<del>87037-XY</del>	<del>1.240</del>	<del>31.50</del>	<del>0.120</del>	<del>3.05</del>	<del>1.020</del>	<del>25.91</del>	<del>POLY BAGS</del>	<del>-</del>	<del>NO</del>	OB
87052-XY	0.990	25.15	0.120	3.05	0.770	19.56	POLY BAGS	-	NO	
<del>87203-XY</del>	<del>0.545</del>	<del>13.84</del>	<del>0.150</del>	<del>3.81</del>	<del>0.295</del>	<del>7.49</del>	<del>POLY BAGS</del>	<del>-</del>	<del>NO</del>	OB
<del>87344-XY</del>	<del>1.375</del>	<del>34.93</del>	<del>0.219</del>	<del>5.56</del>	<del>1.056</del>	<del>26.82</del>	<del>POLY BAGS</del>	<del>-</del>	<del>NO</del>	OB

NOTE 1,13

NOTE 1,13

mat'l. code NOTE 2 & 3		surface ISO 1302 <input checked="" type="checkbox"/>	tolerance ISO 406 ISO 1101	projection 	product family BERGSTIK
ltr	ecn no	dr	date	tolerances unless otherwise specified	title
DH				angles linear 0°±2'	BERGSTIK II HEADER D/R .100/2.54cc STRAIGHT
				linear XX±01/XX±3 XXX±0.006/XXX±.13 XXXX±0020/XXX±.05	INCH/MM scale 2:1
		dr	T.BREWBAKER	12/21/94	dwg no
		enr	T.HANNA	12/21/94	sheet 6 of 8 size
		chr	J.MURPHY	12/21/94	67996 A3
		appd	T.HANNA	12/21/94	type Product Customer Drawing
sheet index	revision sheet				

PRODUCT NUMBER	TOT. PIN LGTH.		TAIL LENGTH		MATING LENGTH		PACKAGING	NOTES	BERGSTRIPT™ AVAILABLE	LF OPTION
	DIM F	DIM F	DIM G	DIM G	DIM H	DIM H				
	ENGLISH	METRIC	ENGLISH	METRIC	ENGLISH	METRIC				
<del>87345</del> -XYY	1.218	30.94	0.406	10.31	0.712	18.08	POLY BAGS		NO	OB NOTE 1,13 OB
<del>87348</del> -XYY	0.930	23.62	0.100	2.54	0.730	18.54	POLY BAGS		NO	
<del>87349</del> -XYY	0.890	22.61	0.110	2.79	0.680	17.27	POLY BAGS		NO	
<del>87381</del> -XYY	0.645	16.38	0.100	2.54	0.445	11.30	POLY BAGS		NO	
<del>87382</del> -XYY	0.675	17.15	0.100	2.54	0.475	12.07	POLY BAGS		NO	
<del>87503</del> -XYYH	0.630	16.00	0.110	2.79	0.420	10.67	POLY BAGS		NO	
<del>87869</del> -XYY	0.690	17.53	0.230	5.84	0.360	9.14	POLY BAGS		NO	
87894-XYY	0.588	14.94	0.170	4.32	0.318	8.08	POLY BAGS	-	NO	
87900-XYY	0.940	23.88	0.120	3.05	0.720	18.29	POLY BAGS	-	NO	
87901-XYY	1.040	26.42	0.120	3.05	0.820	20.83	POLY BAGS	-	NO	
<del>87903</del> -XYY	0.963	24.46	0.337	8.56	0.526	13.36	POLY BAGS		NO	
<del>88797</del> -XYY	0.950	24.13	0.320	8.13	0.530	13.46	POLY BAGS		NO	
<del>88812</del> -XYY	0.415	10.54	0.085	2.16	0.230	5.84	POLY BAGS/TUBES	NOTE 8	NO	
<del>88886</del> -XYY	1.306	33.17	0.276	7.01	0.930	23.62	POLY BAGS		NO	
<del>89446</del> -XYY	0.930	23.62	0.120	3.05	0.710	18.03	POLY BAGS		NO	
<del>89540</del> -XYY	0.760	19.30	0.280	7.11	0.380	9.65	POLY BAGS		NO	
<del>89542</del> -XYY	1.065	27.05	0.125	3.18	0.840	21.34	POLY BAGS		NO	
<del>89639</del> -XYY	1.260	32.00	0.118	3.00	1.042	26.47	POLY BAGS		NO	
<del>91828</del> -XYY	0.450	11.43	0.120	3.05	0.230	5.84	TUBES		NO	
92417-XYY	0.530	13.46	0.110	2.79	0.320	8.13	POLY BAGS	-	NO	
<del>93216</del> -XYYH	0.573	14.55	0.155	3.94	0.318	8.08	POLY BAGS/TUBES		NO	
93216-632HG	0.573	14.55	0.155	3.94	0.318	8.08	GPAX	NOTE 1	NO	
<del>93217</del> -XYYH	0.395	10.03	0.095	2.41	0.200	5.08	POLY BAGS		NO	
93254-XYY	0.563	14.30	0.110	2.79	0.353	8.97	POLY BAGS	-	NO	

mat'l. code		surface	tolerance	projection	product family	
NOTE 2 & 3		ISO 1302 ✓	ISO 406 ISO 1101		BERGSTIK	
ltr	ecn no dr date	tolerances unless otherwise specified			title	
DH		angles	linear	INCH/MM	BERGSTIK II HEADER D/R	
		0°±2'	.XX±.01/.XX±.3 .XXX±0.006/.XXX±.13 .XXXX±0.020/.XXX±.051		.100/2.54cc STRAIGHT	
		dr	T.BREWBAKER	scale 2:1	dwg no sheet 7 of 8 size	
		enr	T.HANNA		67996 A3	
		chr	J.MURPHY	type Product Customer Drawing		
		appd	T.HANNA			



Copyright FCI

PRODUCT NUMBER	TOT. PIN LGTH.		TAIL LENGTH		MATING LENGTH		PACKAGING	NOTES	BERGSTRIK	LF OPTION
	DIM F	DIM F	DIM G	DIM G	DIM H	DIM H			AVAILABLE	
	ENGLISH	METRIC	ENGLISH	METRIC	ENGLISH	METRIC				
<del>94010-XYH</del>	<del>0.756</del>	<del>19.20</del>	<del>0.350</del>	<del>8.89</del>	<del>0.306</del>	<del>7.77</del>	<del>POLY BAGS</del>	<del>---</del>	<del>NO</del>	OB NOTE 1,13 OB OB OB OB OB OB OB OB OB OB OB
<del>94532-XYH</del>	<del>1.250</del>	<del>31.75</del>	<del>0.450</del>	<del>11.43</del>	<del>0.700</del>	<del>17.78</del>	<del>POLY BAGS</del>	<del>---</del>	<del>NO</del>	
<del>95105-XY</del>	<del>0.370</del>	<del>9.40</del>	<del>0.126</del>	<del>3.20</del>	<del>0.144</del>	<del>3.66</del>	<del>POLY BAGS</del>	<del>---</del>	<del>NO</del>	
<del>95645-XYH</del>	<del>0.350</del>	<del>8.89</del>	<del>0.100</del>	<del>2.54</del>	<del>0.150</del>	<del>3.81</del>	<del>POLY BAGS</del>	<del>---</del>	<del>NO</del>	
<del>95652-XYH</del>	<del>0.500</del>	<del>12.70</del>	<del>0.070</del>	<del>1.78</del>	<del>0.330</del>	<del>8.38</del>	<del>POLY BAGS</del>	<del>---</del>	<del>NO</del>	
<del>95665-XYH</del>	<del>0.835</del>	<del>21.21</del>	<del>0.335</del>	<del>8.51</del>	<del>0.400</del>	<del>10.16</del>	<del>POLY BAGS</del>	<del>---</del>	<del>NO</del>	
95687-XYH	0.820	20.83	0.360	9.14	0.360	9.14	POLY BAGS	-	NO	
<del>95712-XYH</del>	<del>1.090</del>	<del>27.69</del>	<del>0.110</del>	<del>2.79</del>	<del>0.880</del>	<del>22.35</del>	<del>POLY BAGS</del>	<del>---</del>	<del>NO</del>	
<del>95727-XYH</del>	<del>0.825</del>	<del>20.96</del>	<del>0.110</del>	<del>2.79</del>	<del>0.615</del>	<del>15.62</del>	<del>POLY BAGS</del>	<del>---</del>	<del>NO</del>	
<del>98181-XYH</del>	<del>0.760</del>	<del>19.30</del>	<del>0.218</del>	<del>5.54</del>	<del>0.442</del>	<del>11.23</del>	<del>POLY BAGS</del>	<del>---</del>	<del>NO</del>	
<del>98217-XYH</del>	<del>0.756</del>	<del>19.20</del>	<del>0.328</del>	<del>8.33</del>	<del>0.328</del>	<del>8.33</del>	<del>POLY BAGS</del>	<del>---</del>	<del>NO</del>	
<del>98329-XYH</del>	<del>0.930</del>	<del>23.62</del>	<del>0.415</del>	<del>10.54</del>	<del>0.415</del>	<del>10.54</del>	<del>POLY BAGS</del>	<del>---</del>	<del>NO</del>	
<del>98854-XYH</del>	<del>0.450</del>	<del>11.43</del>	<del>0.120</del>	<del>3.05</del>	<del>0.230</del>	<del>5.84</del>	<del>TUBES</del>	<del>---</del>	<del>NO</del>	
10017852-XYH	0.450	11.43	0.125	3.18	0.225	5.72	POLYBAGS	-	NO	OB NOTE 1,13
10074747-XYH	0.850	21.59	0.520	13.21	0.230	5.84	POLYBAGS	-	NO	

B  
FCIconnect.com

C

Copyright FCI

D

mat'l. code NOTE 2 & 3				surface ISO 1302 ✓		tolerance ISO 406 ISO 1101		projection 		product family BERGSTIK	
ltr	ecn	no	dr	date		tolerances unless otherwise specified					
DH						angles	linear	.XX±.01/.X±.3		INCH/MM scale 2:1	
						0°±2'		.XXX±0.005/.XX±.13			
								.XXXX±0.020/.XXX±.05		dwg no	
						dr	T.BREWBAKER	12/21/94	sheet 8 of 8		size
						enr	T.HANNA	12/21/94	67996		A3
						chr	J.MURPHY	12/21/94	type Product Customer Drawing		
						appd	T.HANNA	12/21/94			
sheet index		revision sheet									



# Mouser Electronics

Authorized Distributor

Click to View Pricing, Inventory, Delivery & Lifecycle Information:

## FCI:

[67996-134](#) [67996-404](#) [67997-106H](#) [67997-124](#) [67997-172H](#) [67997-216](#) [67997-220](#) [67997-272H](#) [67997-372](#)  
[67997-372H](#) [67997-634](#) [67998-114](#) [67998-272](#) [68439-272](#) [68464-120](#) [68481-172H](#) [68491-272](#) [68602-572](#) [68691-110](#) [68691-114](#) [68691-204](#) [68691-272](#) [68738-272H](#) [68799-272](#) [69132-172](#) [69132-172H](#) [69132-472](#) [69133-128](#)  
[78286-272H](#) [79271-372](#) [86834-172](#) [92417-472H](#) [68716-272](#) [68691-414](#) [86837-140HLF](#) [67996-108H](#) [67996-160](#)  
[67996-164H](#) [67996-172H](#) [67996-208H](#) [67996-272H](#) [67996-372H](#) [67996-408H](#) [67996-410H](#) [67996-472H](#) [67996-572H](#) [67996-608H](#) [67996-672H](#) [67997-120H](#) [67997-148](#) [67997-152](#) [67997-170](#) [67997-224H](#) [67997-234](#) [67997-240](#) [67997-406H](#) [67997-416H](#) [67997-446H](#) [67997-472H](#) [67997-526](#) [67997-530H](#) [67997-672H](#) [67998-204](#) [67998-408](#) [67998-414](#) [67998-472](#) [67998-472H](#) [67998-572](#) [67998-600H](#) [67998-672](#) [67998-672H](#) [67999-250](#) [67999-272](#) [67999-472](#) [67999-572](#) [68438-104H](#) [68438-172H](#) [68438-208H](#) [68438-472](#) [68438-472H](#) [68438-572](#) [68439-212H](#) [68439-572](#) [68464-236H](#) [68464-272H](#) [68464-672](#) [68481-114](#) [68481-210H](#) [68481-272](#) [68481-472](#) [68481-672](#) [68491-572](#) [68491-672](#) [68601-126H](#) [68601-572](#) [68601-672](#) [68602-150](#) [68602-416](#) [68690-172](#) [68690-272H](#)